

## TM50Z1046HDGAIDCPN-IR

**IMAGE SIZE:** 1/1.8"

**FOCAL LENGTH:** 10-500 mm

**RESOLUTION:** 2 Megapixel

**A.O.V. HxV**

**1/2" W:** 32.71°x24.82° | **T:** 0.74°x0.56°

**1/1.8" W:** 36.54°x27.82° | **T:** 0.83°x0.63°

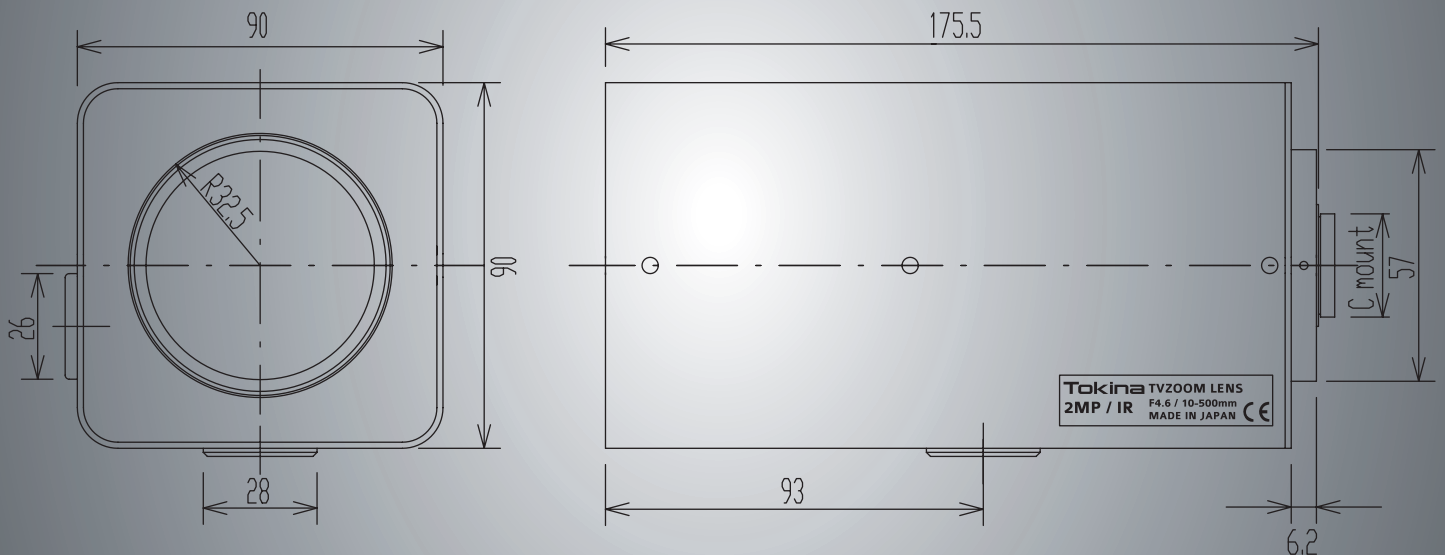


**LENGTH:** 175.5mm

**HEIGHT:** 90mm (with housing)

**WIDTH:** 90mm (with housing)

## TM50Z1046HDGAIDCPN-IR

**APERTURE:** F 4.6-360**WEIGHT:** 1640 gr**IR BANDPASS FILTER****DAY & NIGHT CORRECTION****OPERATION****FOCUS:** Motorized DC6~12V  
with presets**ZOOM:** Motorized DC6~12V  
with presets**IRIS:** DC auto ris**C-MOUNT****M.O.D.:** 5 m**FILTER SCREW SIZE:** M65mm P=0.75**OPERATING TEMPERATURE:** -10° - +50°C**Kenko Tokina Co., Ltd.**KT Nakano Building, 5-68-10 Nakano  
Nakano-ku, Tokyo 164-8616 JAPAN

Sales: +49 (0)4102 224 99 25

Fax: +49 (0)4102 224 96 47

Email: info@kenkotokina-cctv.com